

150W Single Output Series - with PFC



- Universal AC input / full range
- High reliability
- Approvals: TUV, CB, CE
- PF>0.98@115VAC; >0.95@230VAC
- Protections: over current/ over voltage/ over temperature/ short circuit
- 2 years warranty
- F615C 199 x 99 x 50(mm)

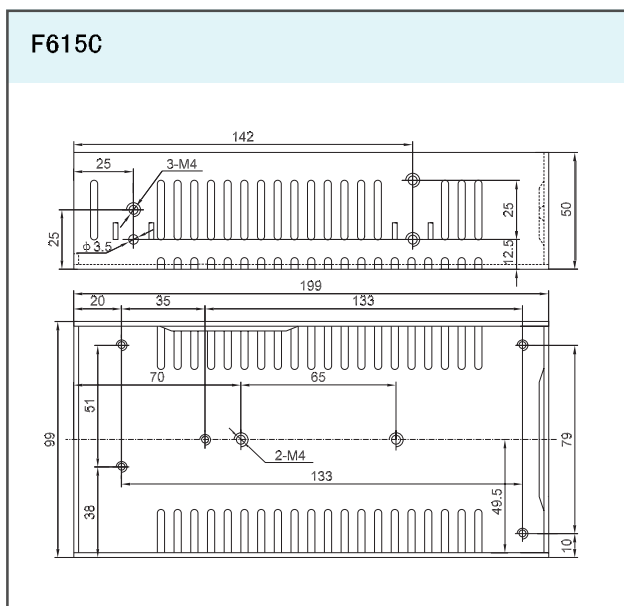


AC input voltage range	85~264VAC (120~370VDC)
Input frequency	47~63Hz
Inrush current	cold start, 20A/115V, 40A/230V
Input leakage current	< 0.7mA/ 230VAC
Line regulation (full load)	≤ ± 0.5%
Output voltage adjust range	± 10%
Output over current protection	110~130%, current limiting, auto recovery
Output over voltage protection	115~150%
Withstand voltage	I/P -O/P: 3.0KVAC/1min I/P -F/G: 1.5KVAC/1min O/P-F/G: 0.5KVAC/1min
Rise, Hold up time	50ms, 20ms@full load (typical)
Operating temp. & humidity	-10°C~+50°C, 20%~93%RH (non condensing)
Storage temp. & humidity	-20°C~+85°C, 20%~95%RH (non condensing)
Safety standards	GB4943, UL60950, EN60950
EMC standards	GB9254, EN55022 classB EN61000-3-2,3, EN61000-4-2,3,4,5,6,8,11
Cooling method	convection

Model	DC Output		Load regul.	R&N	Efficiency
OTE150W-SC-3.3	3.3V	30.0A	0.5%	100mV	67%
OTE150W-SC-5	5V	30.0A	0.5%	100mV	75%
OTE150W-SC-7.5	7.5V	20.0A	0.5%	100mV	79%
OTE150W-SC-12	12V	12.5A	0.5%	100mV	80%
OTE150W-SC-13.5	13.5V	11.2A	0.5%	100mV	80%
OTE150W-SC-15	15V	10.0A	0.5%	100mV	81%
OTE150W-SC-24	24V	6.3A	0.5%	150mV	83%
OTE150W-SC-48	48V	3.2A	0.5%	250mV	84%

* 3~48VDC output all available.

Drawing



OPERATING TECHNICAL ELECTRONICS, INC.